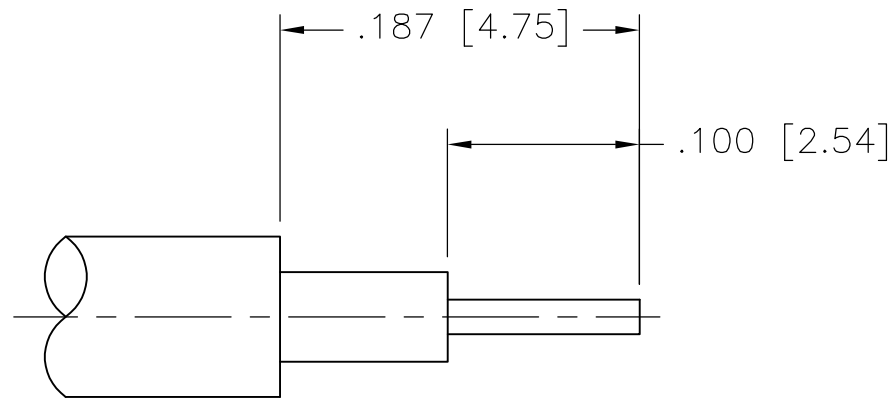


THIS DRAWING IS UNPUBLISHED. RELEASED FOR PUBLICATION
 © COPYRIGHT BY TYCO ELECTRONICS CORPORATION. ALL RIGHTS RESERVED.

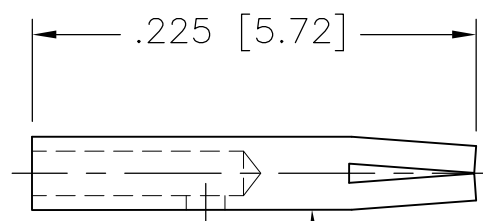
LOC	DIST	REVISIONS					
AJ	16	P	LTR	DESCRIPTION	DATE	DWN	APVD
			C	REV PER ECO 08-007172	26MAR2008	DW	JL



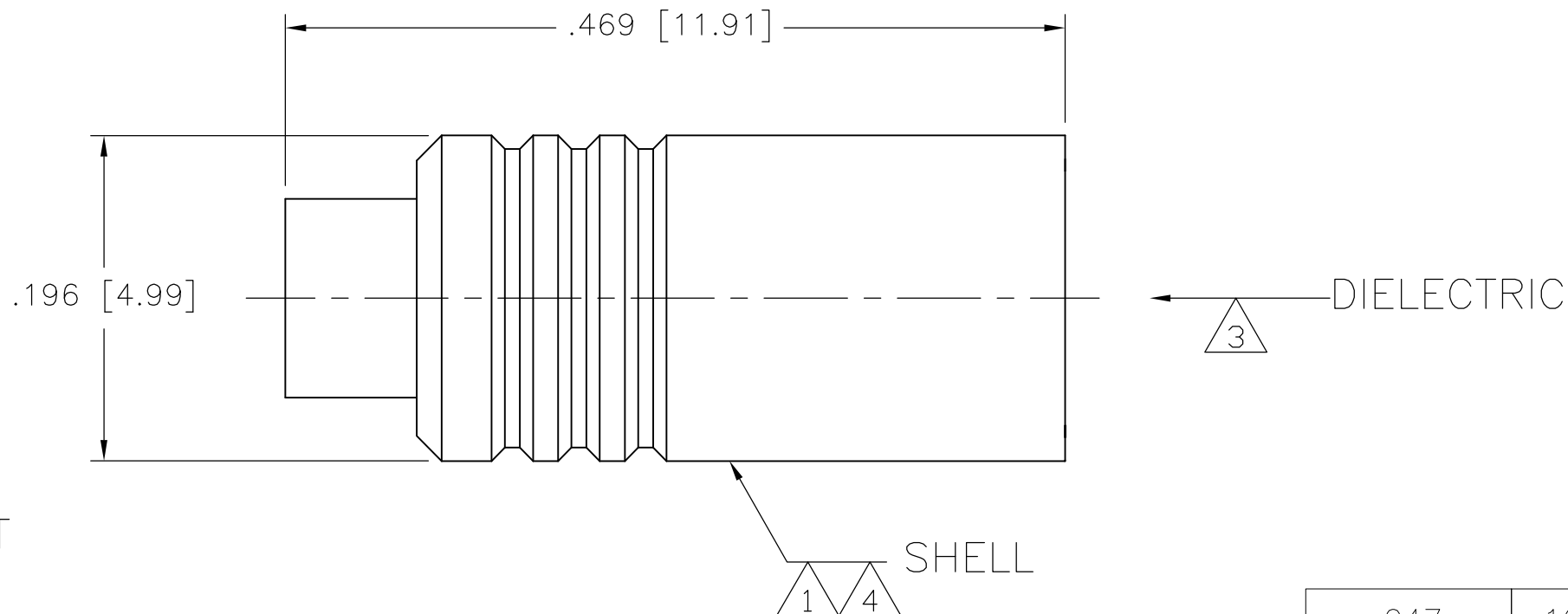
RECOMMENDED CABLE TRIM

- 1 BRASS PER ASTM-B-453
- 2 BERYLLIUM COPPER PER ASTM-B-196
- 3 PTFE PER MIL-P-19468
- 4 GOLD PLATE PER MIL-G-45204

5 ELECTRICAL:
 IMPEDANCE: 50 OHMS.
 FREQUENCY RANGE: DC-6GHz.
 VSWR: 1.2 MAX.



CONTACT



	.047	1060774-2
OBSOLETE	.085	1060774-1
	CABLE	PART NUMBER

THIS DRAWING IS A CONTROLLED DOCUMENT.		DWN B. MCMASTER 28NOV05	Tyco Electronics Corporation Harrisburg, PA 17105-3608													
DIMENSIONS: INCHES		CHK K. WEIDNER 28NOV05	NAME MCX STRAIGHT CABLE JACK DIRECT SOLDER TO SEMI-RIGID CABLE													
TOLERANCES UNLESS OTHERWISE SPECIFIED:		APVD K. WEIDNER 28NOV05	PRODUCT SPEC -													
<table border="0"> <tr><td>0 PLC</td><td>± -</td></tr> <tr><td>1 PLC</td><td>± -</td></tr> <tr><td>2 PLC</td><td>± -</td></tr> <tr><td>3 PLC</td><td>± .010 [0.25]</td></tr> <tr><td>4 PLC</td><td>± -</td></tr> <tr><td>ANGLES</td><td>± -</td></tr> </table>		0 PLC	± -	1 PLC	± -	2 PLC	± -	3 PLC	± .010 [0.25]	4 PLC	± -	ANGLES	± -	APPLICATION SPEC 408-4641	SIZE A3	CAGE CODE 00779
0 PLC	± -															
1 PLC	± -															
2 PLC	± -															
3 PLC	± .010 [0.25]															
4 PLC	± -															
ANGLES	± -															
MATERIAL -	FINISH -	WEIGHT 1.0 gr/.035 oz	DRAWING NO G-1060774	RESTRICTED TO -												
CUSTOMER DRAWING			SCALE 10:1	SHEET 1 OF 1												
			REV C													